

Model 940-60

dc to 4.0 GHz

Model 940-114

dc to 2.0 GHz

Precision Continuously Variable Attenuators

5 Watts

Choice of SMA or Type N Connectors

RoHS



Features

- /// **Wide Variable Attenuation Range** - Variable attenuation range of 60 dB for Model 940-60 and 114 dB for Model 940-114, with minimum insertion loss at 6 dB.
- /// **Approximately Linear Calibrated Dial** - Direct reading dial individually calibrated in approximately linear 1 dB increments from 6 dB to full scale.
- /// **Rugged** - Designed to meet the environmental requirements of MIL-A-24215.
- /// **Long Life** - These variable attenuators offer a cycle life of up to 10,000 cycles. Optional models are also available to extend the life to 50,000 cycles.

Specifications

NOMINAL IMPEDANCE: 50 Ω

FREQUENCY RANGE: Model 940-60: dc to 4.0 GHz
Model 940-114: dc to 2.0 GHz

INCREMENTAL ATTENUATION RANGE:

Model 940-60: 60 dB
Model 940-114: 114 dB

MAXIMUM SWR:

Frequency Range (GHz)	SWR
dc - 1	1.50
1 - 2	1.60
2 - 3	1.70
3 - 4	1.80

DIRECT READING DIAL ACCURACY:

Model	ACCURACY*
940-60-XX	± 0.25 dB or 0.4% @ 2 GHz
940-114-XX	± 0.25 dB or 0.4% @ 1 GHz
940-60-XX-1	± 0.5 dB or 1% @ 2 GHz
940-114-XX-1	± 0.5 dB or 1% @ 1 GHz

*Whichever is greater.

CHARACTERISTIC INSERTION LOSS, RESIDUAL:

6 dB nominal

DIAL CALIBRATION (in 1 dB increments):

Model 940-60: 6 to 66 dB
Model 940-114: 6 to 120 dB

DIAL INCREMENTS: 1 dB

RESOLUTION OF SCALE:

Model 940-60: ~ 115°
Model 940-114: ~ 270°

CYCLE LIFE: A cycle consists of a rotation from minimum to maximum and back to minimum

Model 940-XX-XX : 10,000
Model 940-XX-XX-1: 50,000

PHASE SHIFT WITH CHANGE IN ATTENUATION:

1° per dB x f(GHz) maximum

POWER RATING: 5 watts average to 40°C ambient temperature, derated linearly to 0 watts @ 85°C. 500 watts peak (5 μsec pulse width; 0.5% duty cycle).

POWER COEFFICIENT: < 0.005 dB/dB/watt

TEMPERATURE COEFFICIENT: <0.001 dB/dB/°C

TEMPERATURE RANGE:

Operating: 0°C to +85°C
Nonoperating: -55°C to +125°C.

FREQUENCY SENSITIVITY:

Model 940-60: 0.05 x A x (F - Fd) dB
Model 940-114: 0.1 x A x (F - Fd) dB

A = Attenuation setting in dB, Fd = Dial cut frequency in GHz, F = Operation frequency in GHz

TEST DATA: Test frequency for Model 940-60 is 2 GHz and 1 GHz for 940-114. Test data is available at additional cost.

Variable Attenuators

Specifications-Con't

CONNECTOR: SMA or Type N connector per MIL-STD-348 interface dimensions - mate nondestructively with MIL-C-39012 connector.

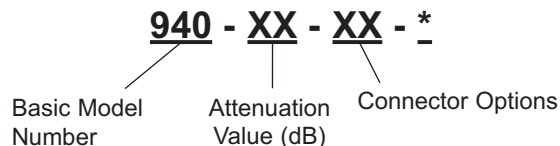
Connector Options	INPUT (J1)	OUTPUT (J2)
11	SMA, Female	SMA, Female
12	SMA, Female	SMA, Male
22	SMA, Male	SMA, Male
33	N, Female	N, Female
34	N, Female	N, Male
44	N, Male	N, Male

CONSTRUCTION: Aluminum body and stainless steel connector; gold plated beryllium copper contacts. Knob is included with each unit.

WEIGHT: Net 1,570 g (3 lbs, 8 oz)

MODEL NUMBER DESCRIPTION:

Example:

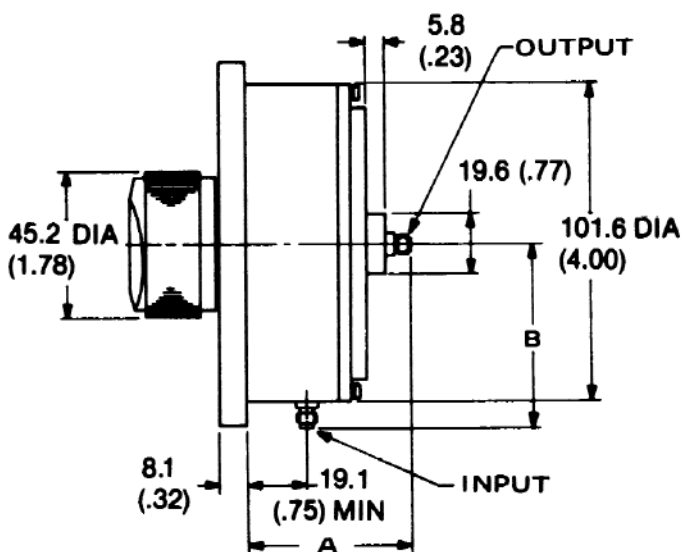
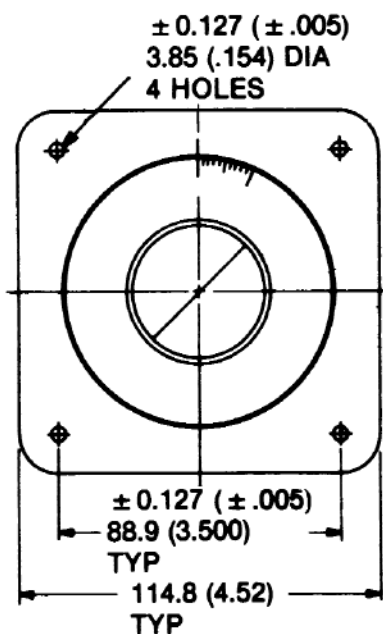


* Add -1 for long life version.

ACCESSORIES

ATTENUATOR STAND, MODEL 940 Z: This stand allows a user to easily mount any Model 940 for those bench applications.

PHYSICAL DIMENSIONS:



Model No.	DIM A	DIM B
940-XX-11	52.3 (2.06)	58.2 (2.29)
940-XX-12	55.6 (2.19)	58.2 (2.29)
940-XX-22	55.6 (2.19)	61.5 (2.42)
940-XX-33	61.0 (2.40)	68.1 (2.68)
940-XX-34	66.0 (2.60)	68.1 (2.68)
940-XX-44	66.0 (2.60)	71.9 (2.83)

NOTE:

1. All dimensions are given in mm (inches) and are maximum, unless otherwise specified.
2. Unit available with RoHS compliant materials, specify when ordering.