

Attenuator, SMA (Width Reduced)

Model XB100WR

Features

- Compact physical design
- Ruggedized construction
- Unidirectional
- Optimized for test applications

Technical Specifications

Parameter	Value		
Frequency Range	DC to 6 GHz		
Standard Freq. Values	2.5 & 6 GHz		
Standard dB Values	3, 6, 10, 20, 30 & 40dB		
Attenuation Accuracy (dB)			
dB Value	DC-1.5 GHz	1.5-2.5 GHz	2.5-6 GHz
3 & 6	±0.50dB	±0.50dB	±0.75dB
10	±0.75dB	±0.75dB	±2.50dB
20 & 30	±0.75dB	±0.75dB	±1.50dB
40	±1.50dB	±1.50dB	±2.50dB
VSWR (Max)	1.25:1	1.35:1	1.45:1
Input Power	100 Watts Avg. @+25°C <i>Derated Linearly to 20 Watts @ +125°C</i>		
Reverse Power	20 Watts Max.		
Peak Power	1 kW Max. <i>(5µSec Pulse, .05% Duty Cycle)</i>		
Impedance	50 Ohms		
Operating Temp. Range	-55°C to +125°C		

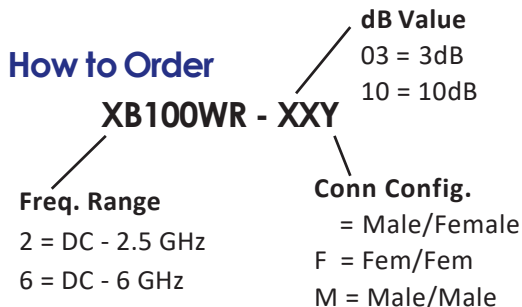
Frequency Range: DC to 6.0 GHz
Power: 100 Watts



Mechanical

Feature	Material
SMA Connectors <i>Mates with MIL-STD-348</i>	Passivated Stainless Steel
Conductors	Gold Plated Beryllium Copper
Housing	Anodized Aluminum

Units must be mounted in such a way as to allow for free air flow around fins as to assure performance.



Order Examples

Model Number: 6B100WR-10
DC-6 GHz, 10dB, SMA Male/Fem

Model Number: 2B100WR-03F
DC-2.5 GHz, 3dB, SMA Fem/Fem

Design Specifications are subject to change without notice.

REV A

Attenuator, SMA

Model XB100WR

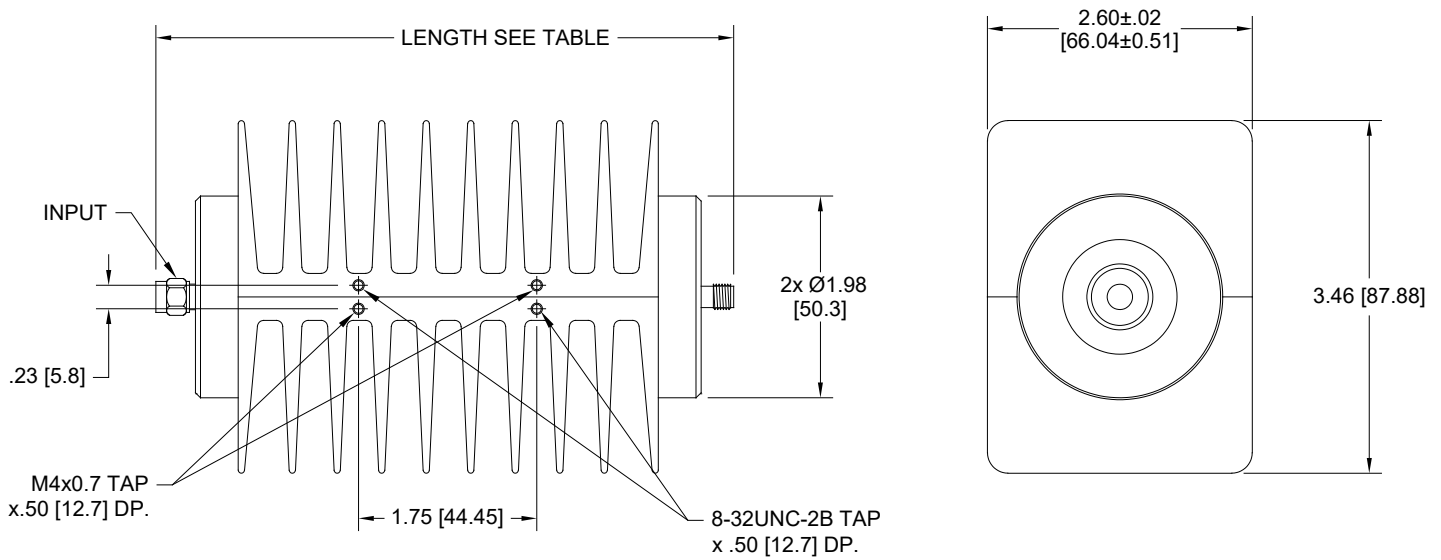
Frequency Range: DC to 6.0 GHz
Power: 100 Watts

Physical Dimensions

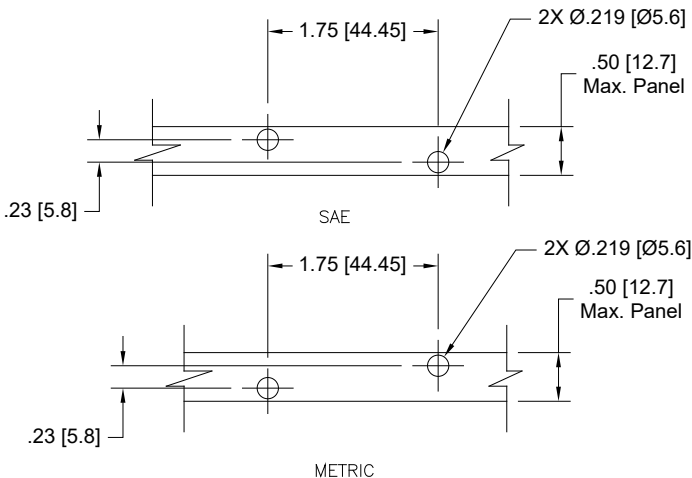
Model Number: 2B100WR-03 shown

Units are unidirectional, therefore input connector must be specified and will be indicated on unit.

Dimensions in Brackets are in millimeters and are for reference only.



Recommended Mounting



Model number	Conn. Config.	Length
XB100WR-XX	Male/Fem	5.66 ±.05 [143.8 ±1.3]
XB100WR-XXF	Fem/Fem	5.52 ±.05 [140.2 ±1.3]
XB100WR-XXM	Male/Male	5.79 ±.05 [147.1 ±1.3]

Design Specifications are subject to change without notice.

REV A