

FHC ATTENUATORS

SMA, 6 GHz, 2 Watts

SPECIFICATIONS:

Models: FHC

RoHS
Compliant

AEROFLEX
A passion for performance.

Electrical:

Frequency Range _____ DC – 6.0 GHz

Standard dB Values ____ 0–10, 12, 15, 20, 30 & 40 dB

Attenuation Accuracy:

0 – 10 dB _____ ±0.5 dB

12, 15, 20 dB _____ ±0.7 dB

30 dB _____ ±0.9 dB

40 dB _____ ±1.5 dB

VSWR _____ 1.20:1 Max.

Input Power _____ 2 Watts Avg. @ 25°C

Derated Linearly to 1.1 Watts at +85°C

Impedance _____ 50 Ohms

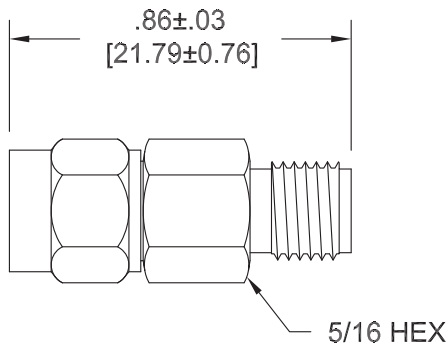
Operating Temp Range _____ -20°C to +85°C

Mechanical:

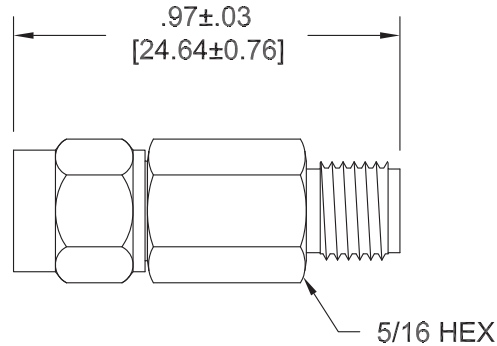
SMA Connectors _____ Passivated Stainless Steel

Mates with MIL-STD-348

Conductors _____ Gold Plated Beryllium Copper



0-12, 15, 20 & 30 dB



40 dB

HOW TO ORDER:

Model Number: **FHC-XX**

dB Value

Ordering Examples:

Model Number: **FHC-3**

DC – 6 GHz; 3 dB; SMA – Male/Fem

Model Number: **FHC-10**

DC – 6 GHz; 10 dB; SMA – Male/Fem

Note: Dimensions in Brackets are Expressed in Millimeters and are for Reference Only.

Design specifications are subject to change without notice.

Contact factory for technical specifications before purchasing or use.

FHC-ATT; REV A

AEROFLEX
INMET

Aeroflex / Inmet, Inc. • 300 Dino Drive, Ann Arbor, MI 48103 • U.S.A.
888-244-6638 or 734-426-5553 • FAX: 734-426-5557
www.aeroflex.com/inmet • inmet@aeroflex.com