

Fixed Coaxial Attenuators



Model 75A

Bi-directional Design, SMK Connectors

dc to 40.0 GHz

5 Watts



Features

- /// Usable to 42 GHz
- /// Compact Construction - Lowest size/power ratio.
- /// Precision Injection Molded Connectors
- /// Designed to meet environmental requirements of MIL-DTL-3933.
- /// Flat Response & Low SWR

Specifications

NOMINAL IMPEDANCE: 50 Ω

FREQUENCY RANGE: dc to 40.0 GHz

MAXIMUM DEVIATION OVER FREQUENCY:

Nominal ATTN (dB)	Deviation (dB)	
	dc-26.5 GHz	26.5-40 GHz
3, 6	± 0.50	± 1.00
10, 20, 30	± 0.80	± 1.50

MAXIMUM SWR:

Frequency (GHz)	SWR
dc - 26.5	1.25
26.5 - 40	1.45

POWER RATING (mounted horizontally): 5 watts **average (bi-directional)** to 25°C ambient temperature, derated linearly to 0.5 Watt @ 125°C. 200 watts **peak** (5 μsec pulse width; 1.25% duty cycle).

POWER COEFFICIENT: <0.002 dB/dB/watt

TEMPERATURE COEFFICIENT: <0.0004 dB/dB/°C

TEMPERATURE RANGE: -55 °C to 125 °C

TEST DATA: Swept data plots of attenuation and SWR from 50 MHz to 40 GHz.

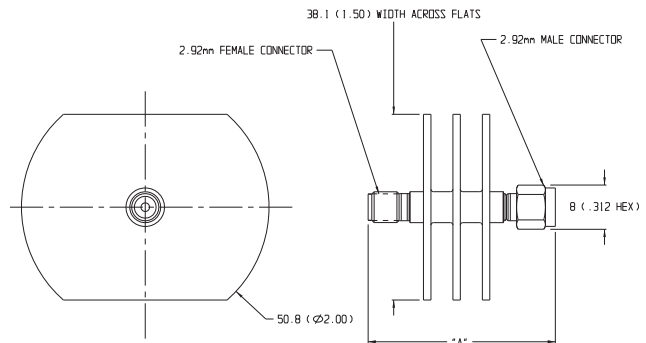
CONNECTORS: SMK (2.92mm) Male/Female connectors - mate nondestructively with SMA, 3.5mm and SMK (2.92mm) connectors.

Connector Options	Type/Description
1	2.92mm, Female
2	2.92mm, Male

CONSTRUCTION: Black, finned aluminum body, gold plated beryllium copper contacts.

WEIGHT: 200 g (7.0 oz.) maximum

PHYSICAL DIMENSIONS:

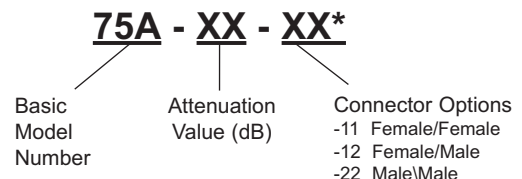


Dash No.	Connector Type	DIM A
11	2.92mm Female/Female	39.9 (1.56)
12	2.92mm Male/Female	44.1 (1.74)
22	2.92mm Male/Male	48.8 (1.92)

NOTE: All dimensions are given in mm (inches) and are nominal, unless otherwise specified.

MODEL NUMBER DESCRIPTION:

Example:



*Unit is bi-directional and full power may be applied to either connector.