

## QSA06A

DC~6GHz, 0~90dB, 10W

### Features:

- \* Low VSWR
- \* High Attenuation Flatness

### Applications:

- \* Wireless
- \* Transmitter
- \* Laboratory Test
- \* Radar

### Description

QSA06A series Rotary Stepped Attenuators cover frequency range DC~6GHz. Rotary stepped attenuators can adjust the power level of microwave circuit in a certain frequency range by step.

### Specifications

Frequency (GHz)	Attenuation Range/Step (dB)	VSWR (Max.)	IL (dB Max.)	Attenuation Accuracy (±dB)	Avg Power (W)	Connectors
DC~2.5 DC~3 DC~4.3 DC~6	0~1/0.1	1.25 1.3 1.35 1.4	0.5 0.5 0.75 1	0.2 0.2 0.3 0.3	2, 10	SMA, N
DC~2.5 DC~3 DC~4.3 DC~6	0~10/1	1.25 1.3 1.35 1.4	0.4 0.5 0.75 1	0.4 0.5 0.5 0.5	2, 10	SMA, N
DC~2.5 DC~3 DC~4.3 DC~6	0~60/10	1.25 1.3 1.35 1.4	0.4 0.5 0.75 1	0.5 (1~50dB), 0.8 or ±3% (50~60dB)	2, 10	SMA, N
DC~2.5 DC~3	0~90/10	1.25 1.3	0.4 0.5	0.5 (1~50dB), ±3% (50~90dB) 0.5 (1~50dB), ±3.5% (50~90dB)	2, 10	SMA, N

### Electrical

Impedance: 50Ω  
Peak Power<sup>\*1</sup>: 100W

[1] Pulse width: 5us, duty cycle: 2%.

### Mechanical

Size<sup>\*2</sup>: Φ30\*63mm  
Φ1.181\*2.48in

Weight: 250g

RF Connectors: SMA Female, N Female

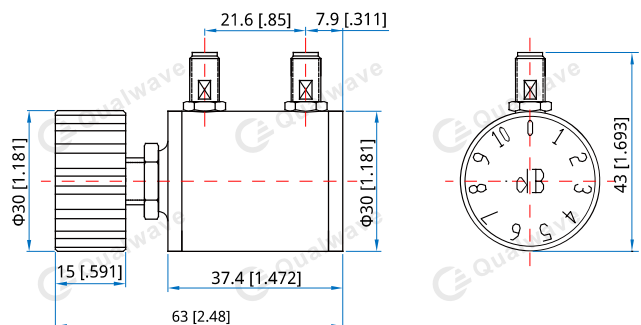
Housing Materials: Aluminum

[2] Exclude connectors.

### Environmental

Temperature: -20~+85°C

### Outline Drawings



Unit: mm [inch]

Tolerance: ±1mm [±0.04in]

### How To Order

#### QSA06A-W-X-Y-Z

W: Stop Frequency in GHz

X: Maximum attenuation in dB

Y: Power in Watts

Z: Connector type

Connector naming rules:

N - N Female

S - SMA Female

Examples:

To order an attenuator, DC~6GHz, 0~60dB attenuation, 2W, SMA female, specify QSA06A-6-60-2-S.

Customization is available upon request.