

Fixed Coaxial Attenuators

Model 73 High Power, N or SMK Connectors

dc to 8.5 GHz
 100 Watts

RoHS



Features

- /// **Compact Construction** - Lowest size/power ratio.
- /// **Quality connectors with special high temperature support beads.**
- /// **Designed to meet environmental requirements of MIL-DTL-3933.**

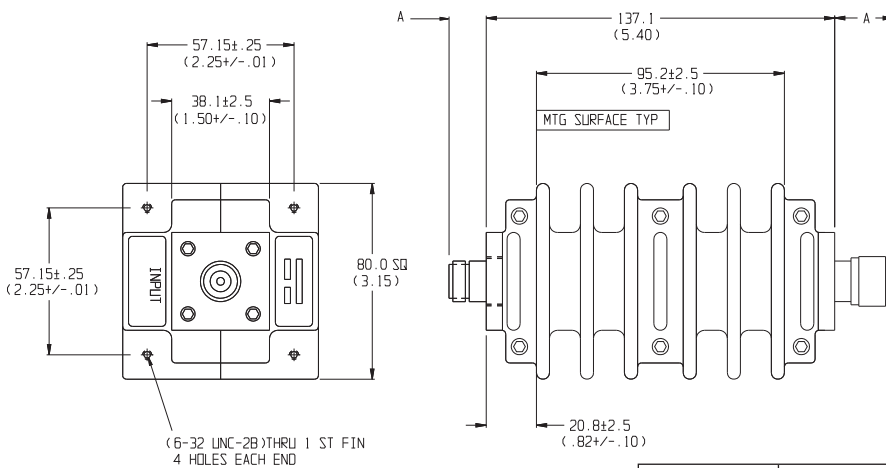
Specifications

NOMINAL IMPEDANCE: 50 Ω
FREQUENCY RANGE: dc to 8.5 GHz

MAXIMUM DEVIATION OVER FREQUENCY:	
Nominal ATTN (dB)	Deviation (dB)
3, 6, 10, 20, 30	± 0.75
40	+1 / -0.50

MAXIMUM SWR:	
Frequency (GHz)	SWR
dc - 4	1.25
4 - 8.5	1.35

PHYSICAL DIMENSIONS:



NOTE: All dimensions are given in mm (inches) and are maximum, unless otherwise specified.

POWER RATING (mounted horizontally with fins vertical): 100 watts **average** (unidirectional) to 25°C ambient temperature, derated linearly to 10 watts @ 125°C. 5 kilowatt **peak** (5 μsec pulse width; 1.0% duty cycle). Maximum power rating into output port is 20 watts average.

POWER COEFFICIENT: <0.00015 dB/dB/watt

TEMPERATURE COEFFICIENT: <0.0004 dB/dB/°C

TEMPERATURE RANGE: -55°C to 125°C

TEST DATA: Swept data plots of SWR from 50 MHz to 8.5 GHz.

CONNECTORS: Type N connectors per MIL-STD-348 interface dimensions - mate nondestructively with MIL-C-39012 connectors. SMK (2.92mm) connectors - mate nondestructively with SMA per MIL-C-39012, 3.5mm, SMK, and other 2.92mm connectors.

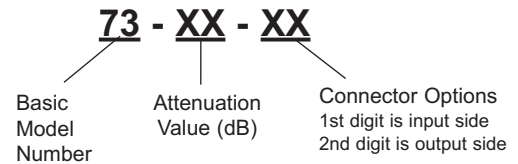
Options	Description	Options	Description
1	SMK, Female	3	Type N, Female
2	SMK, Male	4	Type N, Male

CONSTRUCTION: Aluminum alloy body, stainless steel connectors; gold plated beryllium copper contacts.

WEIGHT: 1130 g (2 lbs, 8 oz.) maximum

MODEL NUMBER DESCRIPTION:

Example:



Connector	DIM A	Connector	DIM A
N Male	22.9 (0.90)	2.92mm Male	14.0 (0.55)
N Female	15.0 (0.59)	2.92mm Female	12.7 (0.50)